

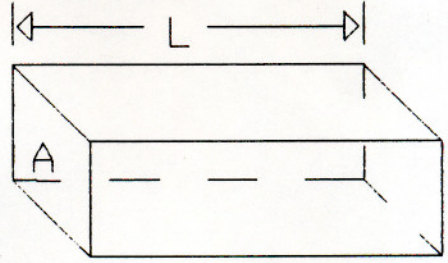
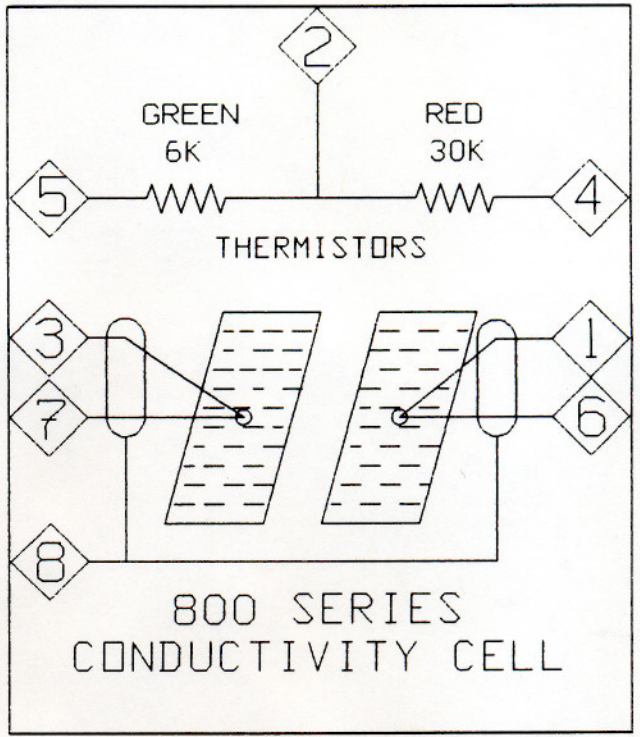
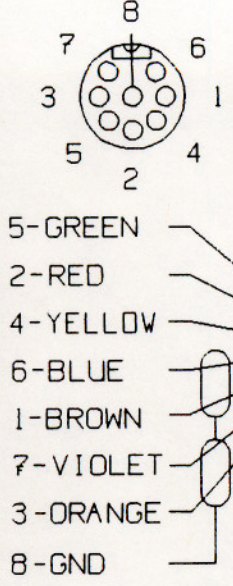
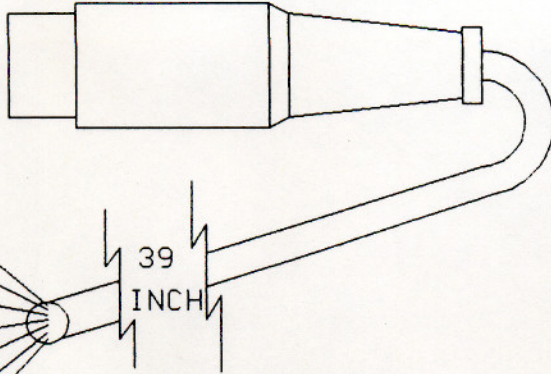
REVISIONS

APPROVALS	DATE	DESCRIPTION	LTR

6K & 30K
 @ 25 °C
 N.T.C.
 THERMISTOR
 MAX. TEMP.
 70 DEG C



CONNECTOR
 8 PIN D.I.N.



CELL CONSTANT:

$$K = \frac{L}{A}$$

K= THE CELL CONSTANT IN CM.⁻¹

L= THE DISTANCE BETWEEN THE PLATES IN CM.

A= THE EFFECTIVE CROSS-SECTIONAL AREA OF THE CONDUCTING PATH BETWEEN THE PLATES IN CM.²

APPROVALS	DATE
D.S.A.	5-99

AMBER SCIENCE inc.
 Eugene, Oregon. 97402

800 SERIES CELL KIT

PRT 7X10 F

SIZE 10X8 AA

DRAWING NO. 800-6-30

FILE NO. 486\CADD6

SHEET 1 / 1